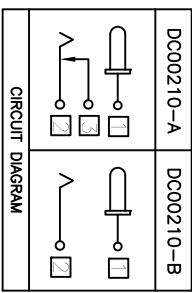
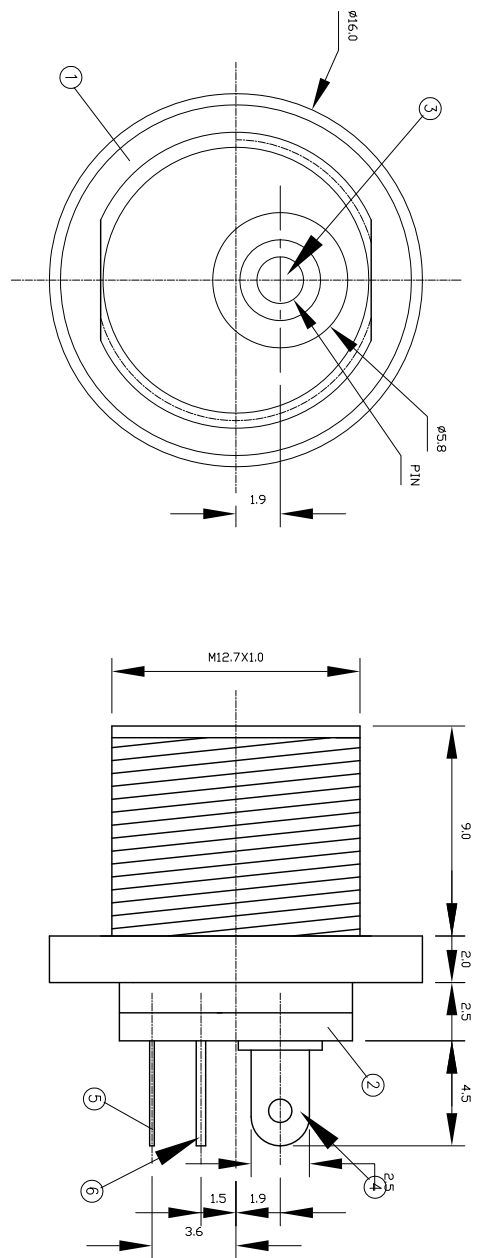


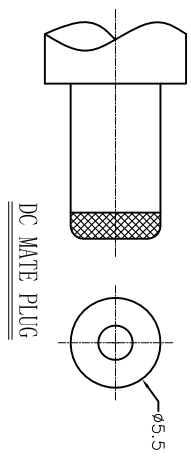
REV. Q'TY	ECN. NO.	REASON&CONTENTS	SIGN	DATE
01		INITIAL	Pengjie	2011-10-24

DC00210 -    
 (1) (2) (3)  
 (1) : Series No.  
 (2) : Schematic option: A、B  
 (3) : Center pin diameter:  
 H:φ2.0, I:φ2.35, J:φ2.5

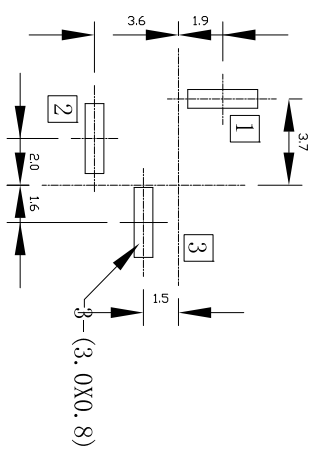


: TERMINAL NO.

Model No.	DC00210-H	DC00210-L	DC00210-J
PIN	φ2.0	φ2.35	φ2.5



RECOMMENDED P. C. B. LAYOUT  
 UNSPECIFIED TOLERANCE: ±0.05  
 (TOP VIEW)



- Specification:
1. Rating : DC 30V 1A;
  2. Contact resistance: ≤50mΩ ;
  3. Insulation resistance: ≥100MΩ (250VDC) ;
  4. Withstand voltage: 500VAC ;
  5. Insertion and extraction force: 3N~30N;
  6. Life test: 5000cycles min;

NO.	DESCRIPTION	Q'TY	MATERIAL	PART NO.	REMARK
⑥	Shunt terminal	1	Copper Alloy		Sn plating
⑤	Tip spring	1	Stainless steel		Sn plating
④	Center pin terminal	1	Copper Alloy		Sn plating
③	Center pin	1	Copper Alloy		Ni plating
②	Cover	1	PF		
①	Housing	1	Thermoplastic		BLACK

UNLESS OTHERWISE SPECIFIED TOLERANCES ARE	UNIT:MM	TYPE:	MODEL NO.:	PAPER NO.:	PAGE 1 OF 1
X ±0.50	DC	JACK	DC00210-X	A4	SCALE
XX ±0.30					VER
XXX ±0.15					3:1
X° ±3.0°					1
XX° ±2.0°					
XXX° ±1.0°					

DESIGNER BY: \_\_\_\_\_  
 CHECK BY: \_\_\_\_\_  
 APPROVED BY: \_\_\_\_\_

承永實業有限公司  
 BLUE SOURCES ELECTRONICS CO.,LTD.